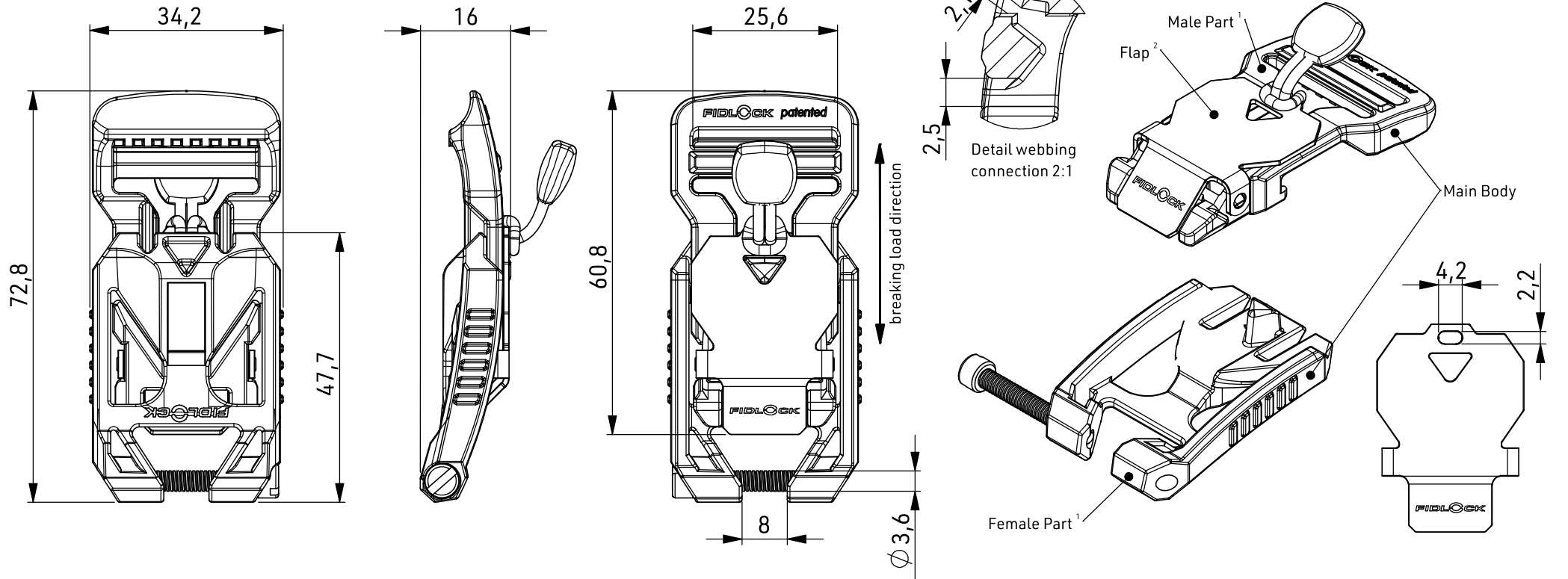


DATASHEET

V-BUCKLE



dimensions in millimeters [mm]

OPENING	lifting
MATERIAL	PA66GF ¹ , stainless steel ² , NdFeB, Epoxy
COLOUR	black main body
WEIGHT	~ 27 g (weighed)
BREAKING LOAD	686 N

GENERAL NOTES *

FV-11209:
flap: stainless steel glossy

FV-11409:
flap: black

ARTICLE NO.	FV-11209, FV-11409
PRODUCT	V-BUCKLE 25 swivel mount + zipper puller
SCALE	1:1 (DIN A4)
DATE	R00 / 13.04.2023

* The manufacturer of the end products in which FIDLOCK fasteners are used, bears the responsibility for thoroughly testing that the FIDLOCK products are suitable for the intended applications.