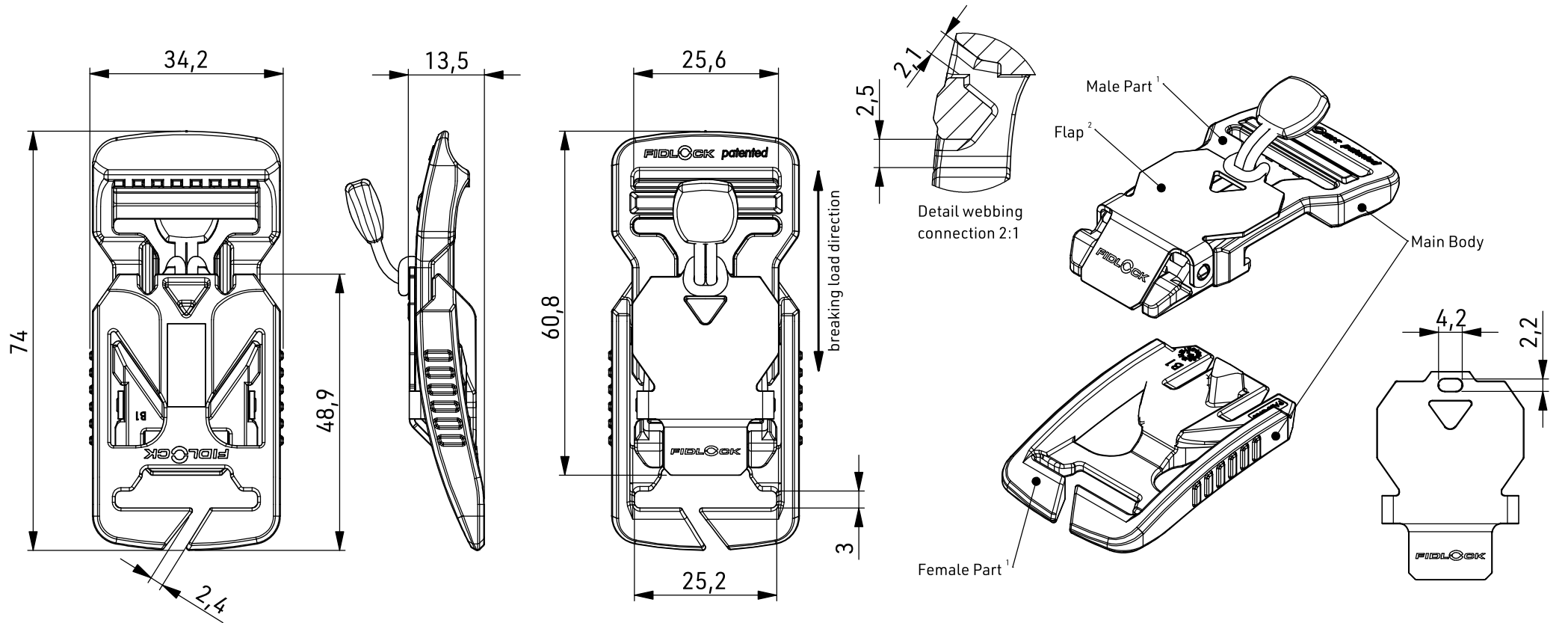


DATASHEET

V-BUCKLE



dimensions in millimeters [mm]

OPENING	lifting
MATERIAL	PA66GF ¹ , stainless steel ² , NdFeB, Epoxy
COLOUR	black main body
WEIGHT	~ 25 g (weighed)
BREAKING LOAD	686 N

GENERAL NOTES *

FV-11202:
flap: stainless steel glossy

FV-11402:
flap: black

ARTICLE NO.

FV-11202, FV-11402

PRODUCT

V-BUCKLE 25 split bar + zipper puller

SCALE

1:1 (DIN A4)

DATE

R00 / 13.04.2023